

ELEGANT



EASY TO
ASSEMBLE



VERSATILE

Automation
for swing doors
from **79 mm** and wing
weight up to **110 kg**

Ditec **SPRINT**

All the comfort you ever wished for

The Ditec SPRINT automation for single wing swing doors is the ideal solution for indoor use in **residential applications**, offices, studios and hotels.

Extremely quiet and with a maximum load capacity of **110 kg**, Ditec SPRINT offers **extraordinary levels of comfort** for the day-to-day life of the user.

AN AUTOMATION FOR EVERYONE



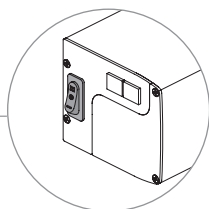
- ▶ **SPRINTV**
Basic automation with 230 Vac power supply and cover in EURAS C0 brushed aluminium



- ▶ **SPRINTP**
Basic automation with 230 Vac power supply and cover in light grey polymer

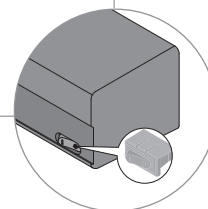


- ▶ **SPRINTPN**
Basic automation with 230 Vac power supply and cover in black polymer



Integrated function selector switch (Open/Close/Run)

- ▶ **SPRINTL**
Basic automation with 24 Vdc power supply (without transformer) and cover in light grey polymer



ON/OFF button (for SPRINTP/PN/L)

NO MORE BARRIERS TO ACCESS

The Ditec SPRINT may be used in **complete safety** in either standard and **LOW ENERGY** mode (with reduced impact force):

- ▶ In **automatic operating mode**, the safety of the automation is ensured by protection sensors tested at each cycle inverting the direction of the movement when an obstacle is detected during closing
- ▶ In **LOW ENERGY** mode, the automation moves the door at lower speed and in compliance with the standard **EN 16005** related to the impact force and opening/closing time

In both modes, the operator may be activated with a **mechanical function selector** (key/knob operated), a **proximity sensor**, a **radar movement sensor** or by the **PUSH & GO** function.

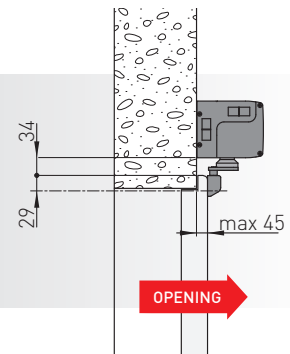


Compact but bristling with features

In spite of its compact size, the Ditec SPRINT delivers extraordinary performance, while a choice of three different movement arms lets you choose the perfect installation solution for any situation.

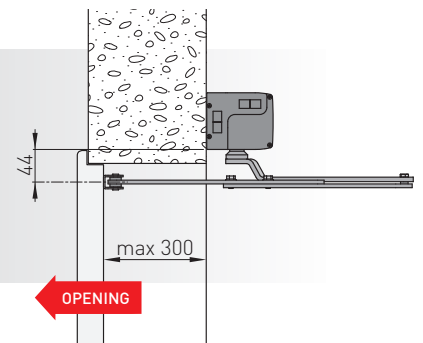
▶ SBS

Sliding movement arm in anodised EURAS C0 material for opening pull door wings



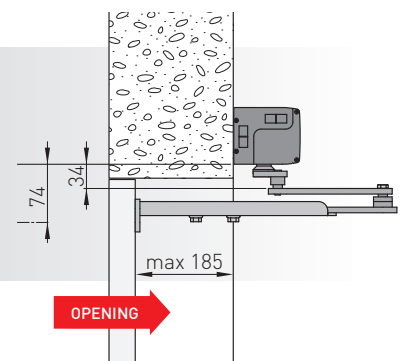
▶ SBA

Articulated movement arm in black-painted steel for opening push door wings



▶ SPRINTBRAS

3-lever articulated arm in black-painted steel for opening pull door wings



Optional accessories such as a configuration card and batteries add even more features and capabilities to the SPRINT, making it the perfect complete all-round operator offering outstanding safety performance.

SPRINTSET

Configuration card for managing specific functions such as:

- ▶ Safety sensor function during opening
- ▶ Alarm signalling function if abnormal operating conditions are detected
- ▶ Door closing after manual opening
- ▶ Disable open control while closing is in progress

SPRINTBAT

1.2 Ah battery kit which (subject to configuration on control panel) may be used in the following modes:

- ▶ PANIC EXIT mode: in case of mains power loss, the door is opened at low speed under battery power and kept open
- ▶ Uninterrupted operation mode: in case of mains power loss, normal operation of the door is ensured until battery charge is depleted



Accessories and components



- ▶ **COMH**
Mechanical knob
function selector switch



- ▶ **REM90**
Single-beam detection
sensor in enclosure
L = 900 mm



- ▶ **COMK**
Mechanical key-operated
function selector switch



- ▶ **REM110**
Double-beam detection
sensor in enclosure
L = 1100 mm



- ▶ **PID24**
Touchless
proximity sensor



- ▶ **SPRINTBAT**
Battery kit

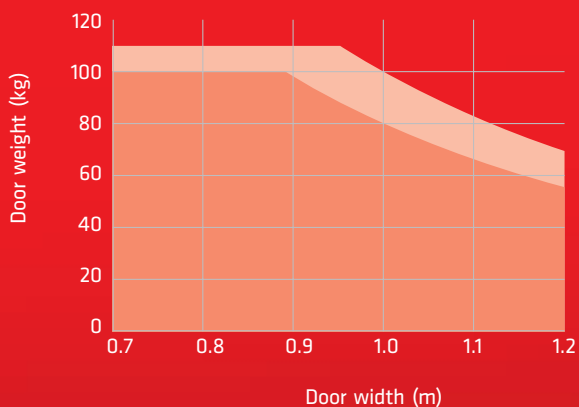


- ▶ **SPRINTSET**
Configuration card for
managing specific
functions

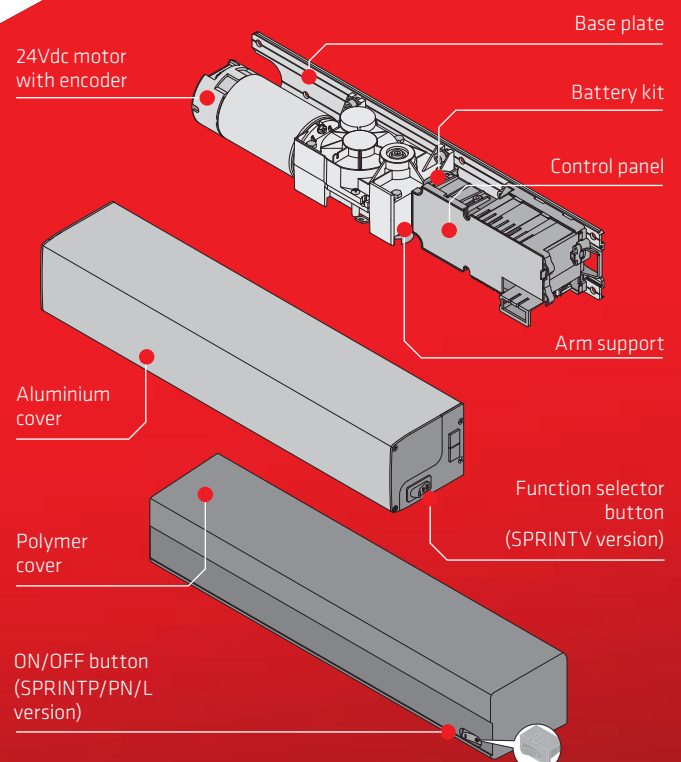
FULL COMPLIANCE WITH EUROPEAN DIRECTIVES AND STANDARDS

- ▶ **2006/42/EC** - Machinery Directive (MD)
- ▶ **2014/65/EU** - Electromagnetic Compatibility Directive (EMCD)
- ▶ **2011/65/EU and 2015/863/EU - RoHS 2** Restriction of Hazardous Substances
- ▶ **EN 16005** - Power operated pedestrian doorsets
- ▶ **EN 60335-1; EN 60335-2-103** - Safety of electrical appliances
- ▶ **EN 61000-6-2; EN 61000-6-3** - Electromagnetic compatibility
- ▶ **EN ISO 13849-1** - Safety of machinery

OPERATION DIAGRAM



- SBA articulated arm (push arm)
- SBS sliding arm (pull arm)



3 reasons for choosing it

Elegant

The **neutral and elegant** style of the Ditec SPRINT automation makes it the ideal solution for a wide variety of different indoor spaces:

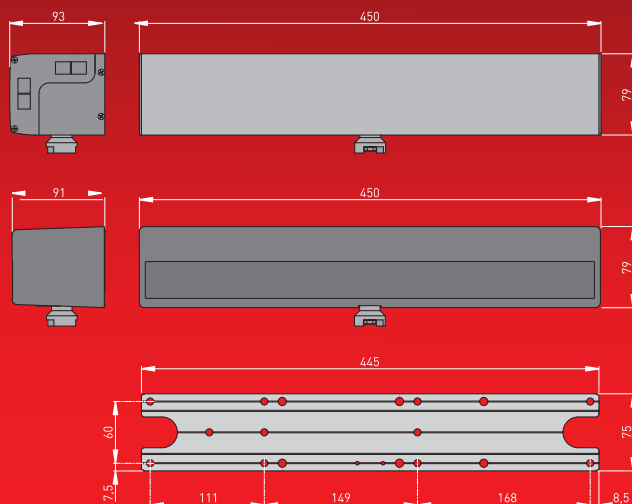
- Modern, sophisticated design
- Available in light grey, black or brushed aluminium finish
- Height **79 mm**, length **450 mm**: compact dimensions for a non-intrusive installation



Easy to assemble

The Ditec SPRINT is designed to be extremely **simple and intuitive**, allowing a **time-saving during the installation**:

- **Pre-drilled mounting plate** for error-free installation
- **Lightweight construction** for less stress, quicker assembly
- **Simplified internal layout** offering easy access
- **Easily accessible setting devices on electronic panel**



All around applications

The Ditec SPRINT is a **modular product** offering the ideal solution for any need:

- Version for **230 Vac** and **24 Vdc** power (without transformer)
- **PUSH & GO** and **LOW ENERGY** modes
- **Panic exit mode and uninterrupted operation in case of power loss** with battery kit
- SPRINTSET card for specific functions such as **safety presence while opening**



TECHNICAL SPECIFICATIONS

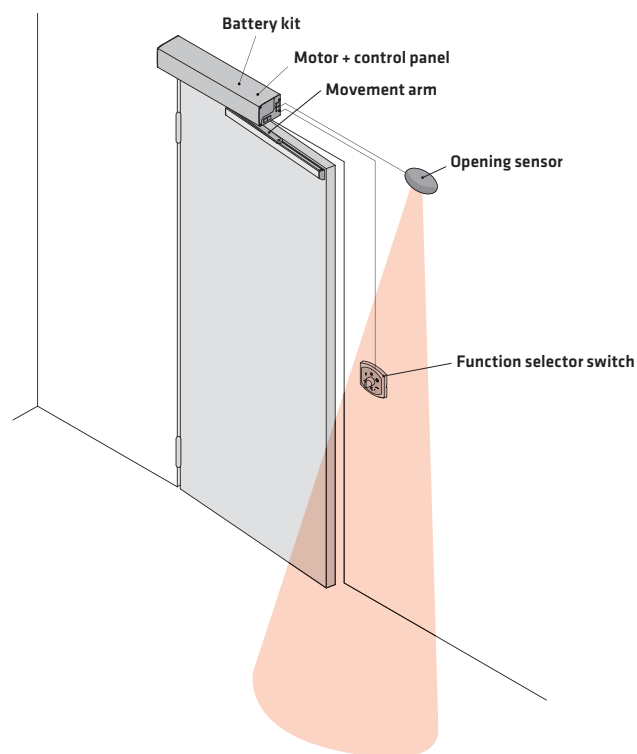
SPRINT	
Description	automation for swing doors
Opening	motor opening and closing
Product dimensions (HxWxL)	79x93x450 mm
Product weight (operator only)	3.5 Kg
Maximum capacity (see diagram on use)	110 kg
Endurance test	1 million cycles
Stroke control	encoder
Power supply	230 Vac / 50-60 Hz (24 Vdc for SPRINTL)
Power consumption (max.)	120 W
Auxiliary power	300 mA - 24 Vdc
Electro-mechanical locking device	12 Vdc max 1.2 A
Door wing width	articulated arm 550 - 1200 mm sliding arm 650 - 1200 mm
Door wing opening angle	100° con push arm 110° with pull arm
Opening time (0 - 90°)	3 - 6 s
Closing time (90° - 0°)	4 - 7 s
Hold open time	0 - 30 s
Operating temperature	-20°C / +55°C
Protection rating	IP30

OPERATIONAL FUNCTIONS

Automatic mode	■
LOW ENERGY mode	■
PUSH&GO mode	■
Energy Saving mode	■
Integrated basic selector	■ (SPRINTV version)
Key selector	■ optional (art. COMK*)
Knob selector	■ optional (art. COMH*)
Monitored presence sensor control (compliant with EN 16005)	■ Standard for closure, optional for aperture
Battery operation	■ optional (SPRINTBAT)
Operator error/alarm signal	■ optional (SPRINTSET)

* "partial opening control" e "night-time stop" functions not available

EXAMPLE OF INSTALLATION



Cert. No. 0957/6

DITEC S.p.A.

Largo U. Boccioni, 1
21040 Origgio (VA) • Italy

Part of ASSA ABLLOY

Tel +39 02 963911
Fax +39 02 9650314

info@ditecautomations.com
www.ditecautomations.com

P245B - 09/2021
Ditec SPRINT