



Dod Dor Over

industrial door
automations



▶ Automations for industrial doors

DITEC's wide range of products and actuators allows to automate any entrance or access, even pre-existing ones, meeting any industrial requirement.

All versions have been engineered to allow easy installation on structures of any size or weight and to satisfy any application requirement.

▶ Product range

Automation system for industrial folding, sectional, sliding doors and transom windows

DOD 12 - DOD 14 - DOD 15

Arm automation system for folding doors

DOR 1B - DOR 1BH - DOR 1BHS

Automation system for heavy sliding doors

OVER 30H - OVER 60H



DOD



DOR



OVER

▶ Technical specifications

	DOD 12	DOD 14	DOD 15	DOR 1B	DOR 1BH - 1BHS	OVER 30H	OVER 60H
Description: Electromechanical actuator	for sectional and sliding doors	for sectional and sliding doors	for sectional and sliding doors	for folding doors	for folding doors	for heavy sliding doors	for heavy sliding doors
Derived models	DOD 12B	DOD 14B	DOD 15B				
Type of use	heavy	heavy	heavy	frequent	heavy	heavy	heavy
Intermittency	S2 = 30 min S3 = 50%	S2 = 30 min S3 = 50%	S2 = 30 min S3 = 50%	S2 = 15 min S3 = 25%	S2 = 30 min S3 = 50%	S3 = 80%	S3 = 80%
Power supply	230 V~ / 50 Hz	230 V~ / 50 Hz	400 V~ / 50 Hz	230 V~ / 50 Hz	24 V=	24 V=	24 V=
Insulation class	class 1	class 1	class 1	class 1	class 3	class 3	class 3
Input	3 A	3 A	1.2 A	1.3 A	12 A	8 A (1 motor) 16 A (2 motors)	16 A
Torque/thrust	45 Nm	60 Nm	65 Nm	300 Nm	300 Nm	200 N (1 motor) 400 N (2 motors)	400 N
Release for manual opening	cable/handle crank (12B)	cable/handle crank (14B)	cable/handle crank (15B)	cable	cable	handle	handle
Operating temperature	-20°C / +55°C	-20°C / +55°C	-20°C / +55°C	-20°C / +55°C	-20°C / +55°C	-20°C / +55°C	-20°C / +55°C
Protection degree	IP 54	IP 54	IP 54	IP 44	IP 44 (DOR 1BH) IP 55 (DOR 1BHS)	IP 02D	IP 02D
Product dimensions	135x264x350	135x264x350	135x264x350	400x120x107	400x120x107		
Control panel	E1F LOGIC A21F	E1F LOGIC A21F	LOGIC TF	E1F - E2 - LOGIC A21F LOGIC A22	LOGIC C22	LOGIC HE	LOGIC HE

Main functions of the automation system and control panels

	DOD 12 - DOD 14		DOD 15	DOR 1B				DOR 1BH DOR 1BHS	OVER 30H OVER 60H
	LOGIC A21F	E1F	LOGIC TF	E1F	E2	LOGIC A22	LOGIC A21F	LOGIC C22	LOGIC HE
Description: Electromechanical actuator	for 1 motor 230 V~ (multifunction)	for 1 motor 230 V~ with incorporated radio	for 1 motor three-phase 400 V~ (multifunction)	for 1 motor 230 V~ with incorporated radio	for 1 or 2 motors 230 V~ with incorporated radio	for 2 motors 230 V~ (multifunction)	for 1 motor 230 V~ (multifunction)	for 1 or 2 motors 24 V=	for 1 motor 24 V=
Main power supply	230 V~ / 50 Hz	230 V~ / 50 Hz	400 V~ / 50 Hz	230 V~ / 50 Hz	230 V~ / 50 Hz	230 V~ / 50 Hz	230 V~ / 50 Hz	230 V~ / 50-60 Hz	230 V~ / 50-60 Hz
Motor power supply	230 V~ / 5 A	230 V~ / 5 A	400 V~ / 6 A	230 V~ / 5 A	230 V~ 2 x 2,5 A	230 V~ 2 x 2,5 A	230 V~ / 5 A	24 V= / 2 x 12 A	24 V= / 8 A (16 A with batteries)
Accessories power supply	24 V= / 0.3 A	24 V= / 0.5 A	24 V= / 0.3 A	24 V= / 0.5 A	24 V= / 0.5 A	24 V= / 0.3 A	24 V= / 0.3 A	24 V= / 0.3 A	24 V= / 0.3 A
Electric lock	24 V= / 1.2 A				12 V= / 15 W	24 V= / 1.2 A	24 V= / 1.2 A	24 V= / 1.2 A	24 V= / 2 A
Flashing light indicates automatic closing for 3 seconds	230 V and 24 V	230 V	24 V	230 V	230 V	230 V and 24 V	230 V and 24 V	24 V	24 V
Open automation indicator signals total closing failure	from limit switch and analogue	from limit switch	from limit switch	from limit switch	from limit switch and analogue	from limit switch and analogue	from limit switch and analogue	analogue	analogue
Courtesy light		/		/	/ (1 motor only)				
Limit switch prearrangement	/	/	/	/	/	/ (opening only)	/	/ (deceleration)	
Force adjustment	transformer	transformer		transformer	electronic	transformer	transformer		electronic
ODS – Obstacle detecting system causes stop or reversal operation if an obstacle is found	/	/		/	/	/	/	/	/
Operation time adjustment	/	/		/	/	/	/	/	
Opening command	/	/ (with dip-switch)	/	/ (with dip-switch)	/ (with dip-switch)	/	/	/	/
Partial opening command	/	/ (radio only)	/	/ (radio only)	/ (radio only)	/	/	/	/
Closing command	/	/	/	/	/	/	/	/	/
Timed automatic closing	/	/	/	/	/	/	/	/	/
Step-by-step command	/	/	/	/	/	/	/	/	/
Hold-to-run command	/	/	/	/	/	/	/	/	/
Stop safety device	/	/	/	/	/	/	/	/	/
Reverse movement safety device	/	/	/	/	/	/	/	/	/
Autotest function for SICUR self-controlled safety devices	/		/				/		/
NIO – Antifreeze system for maintaining motor efficiency even at low temperatures	/					/	/	/	
Operating temperature	-20°C / +55°C	-20°C / +55°C	-20°C / +55°C	-20°C / +55°C	-20°C / +55°C	-20°C / +55°C	-20°C / +55°C	-20°C / +55°C (+5°C / +40°C batteries)	-20°C / +55°C
Protection degree	IP55	IP55	IP55	IP55	IP55	IP55	IP55	IP55	IP55
Product dimensions	180 x 250 x 100	180 x 250 x 100	225 x 320 x 120	180 x 250 x 100	180 x 250 x 100	225 x 320 x 120	180 x 250 x 100	225 x 320 x 120	225 x 320 x 120

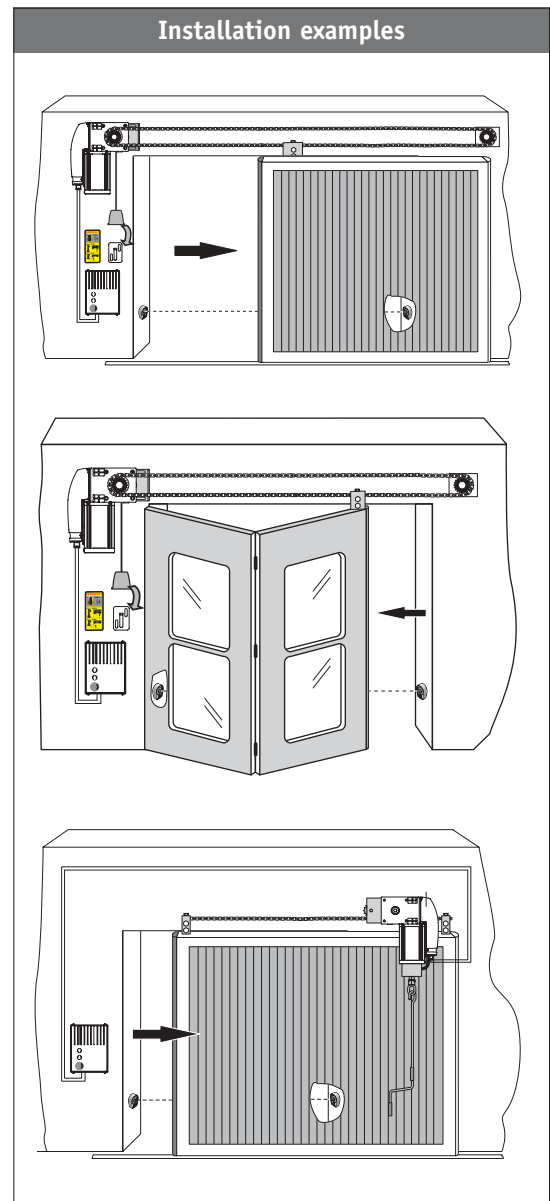
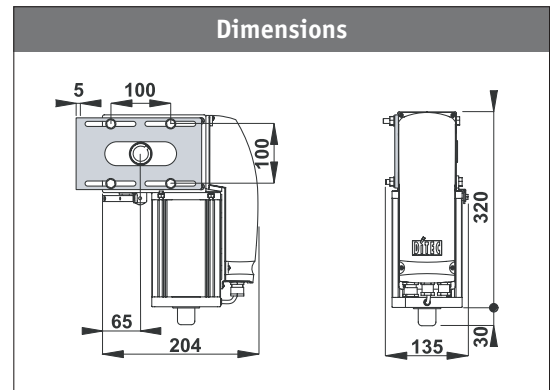
Dod

▶ Distinctive features

- ▶ Possibility of different applications
 - Fitted aligned on sectional doors
 - Fitted with pinion and crown on sectional doors
 - Fitted on sliding doors
 - Fitted on sliding doors with chain transmission
- ▶ Easy installation
 - Keyed on driving shaft or featuring pinion and chain transmission, making other moving parts superfluous.
- ▶ Tested and reliable components already fitted to other DITEC automatisms
- ▶ Small and compact dimensions: for easy application even in constricted spaces
- ▶ Modern and refined design
- ▶ Adjustable rotating limit-switch unit complete with three limit switches
- ▶ Three release devices:
 - Cable: fast release. Once the automation has been released, door operation can be performed manually.
 - Crank: when suitably geared down, this can be turned to lift or re-close the door using the automation like a hoist.
 - Key handle with cord for remote release.
- ▶ Fitting with pinion and crown favours adapting movement speed to one's own needs or making application when side space is restricted.
- ▶ Dod automations are complete with safety accessories and controls in compliance with regulations in force.

Specific accessories

- ▶ Accessories for axial assembly
- ▶ Pinion gears
- ▶ Couplings
- ▶ Chain and ring gear
- ▶ Key handle with cord for remote lock release



Dor

▶ External automation ideal for folding doors

Simple and reliable

Dor is an external actuating arm system for folding doors with articulated leaves.

It has been specifically engineered to actuate folding doors with two articulated leaves, up to 1.5 + 1.5 mt long: mounted on one leaf only it ensures opening and closing by means of a simple telescopic arm.

Positioned over the door leaves, it ensures smooth opening and closing.

It is fitted with a remote lock release system which always ensures manual operation, if needed, in case of power failure.

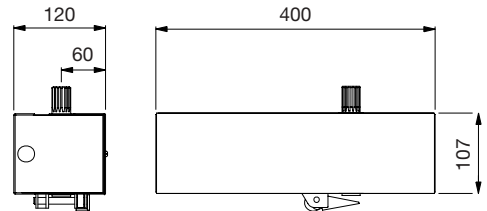
Dor 1B automation is fitted with a lock release system with cord.

Specific accessories

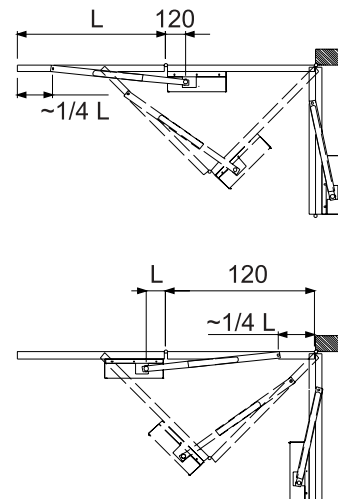
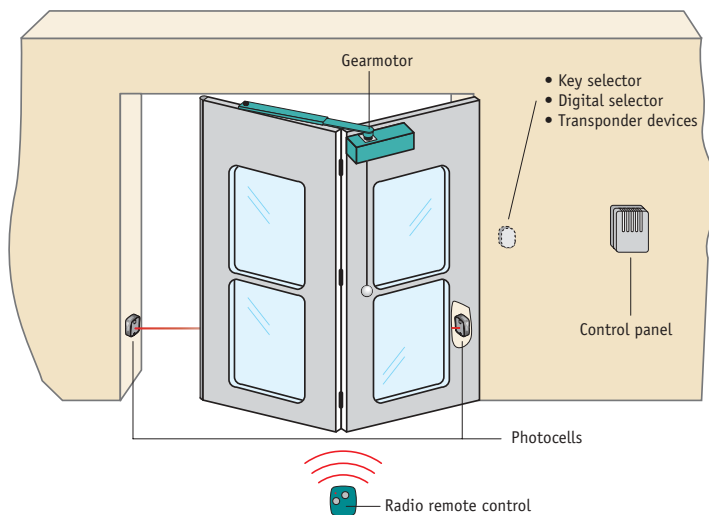
- ▶ Straight arm



Dimensions



Installation examples



Over

▶ The ideal automation for heavy sliding doors, fire doors

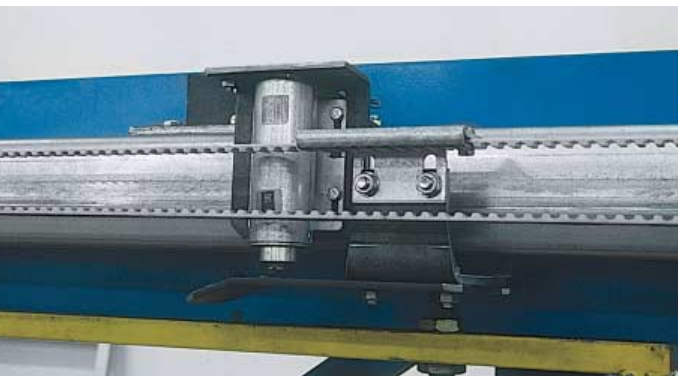
Easy to install, versatile, powerful and noiseless

Over is a multivalent automation for heavy-duty sliding doors provided with sliding track and belt-drive traction.

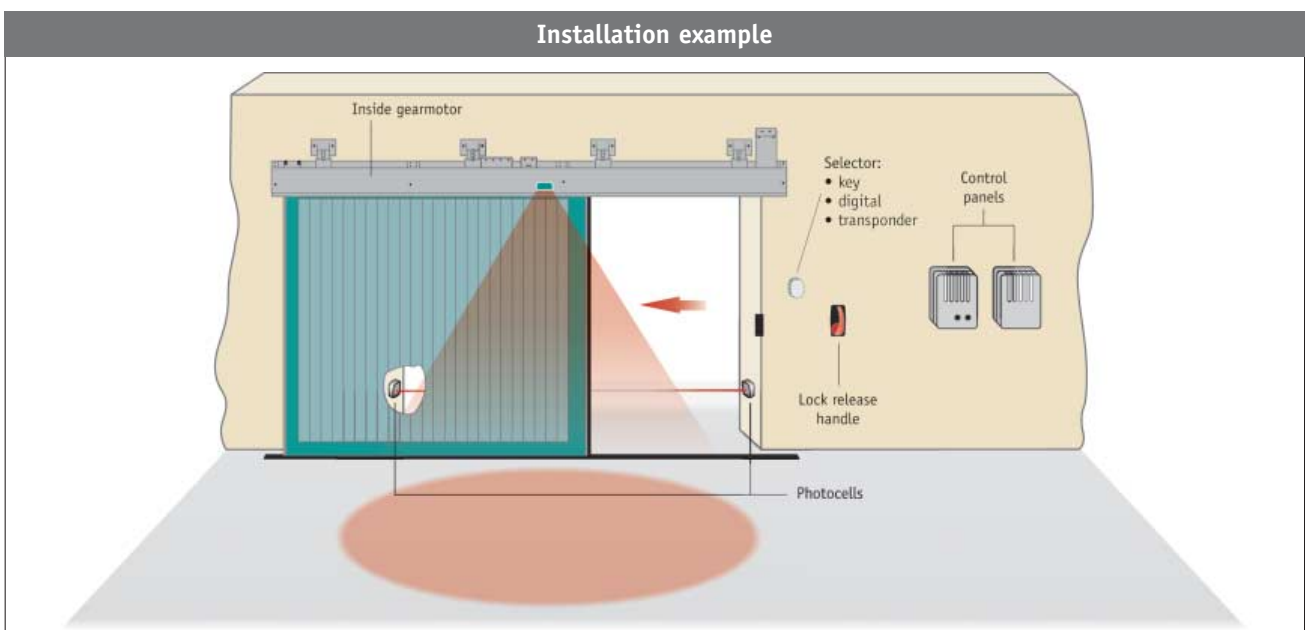


Over is characterized by significant features:

- ▶ Stroke managed by encoder, providing for automatic slow-down at end of stroke.
- ▶ Automation of very long leaves, up to 6 mt with OVER 30, and up to 9 mt with OVER 60.
- ▶ Perfectly noiseless sliding, thanks to its rubber belt.
- ▶ Trolleys with strengthened nylon wheels to ensure long durability.
- ▶ Sturdy fitting brackets for tracks, specifically engineered to allow most accurate adjustments.
- ▶ Wide range of accessories which allow easy installation and adjustment to either new or pre-existing doors.
- ▶ Elegant and functional aluminium extrusion cover, adjustable according to actuator dimensions and thickness. It protects the actuator and allows easy inspection.



Installation example

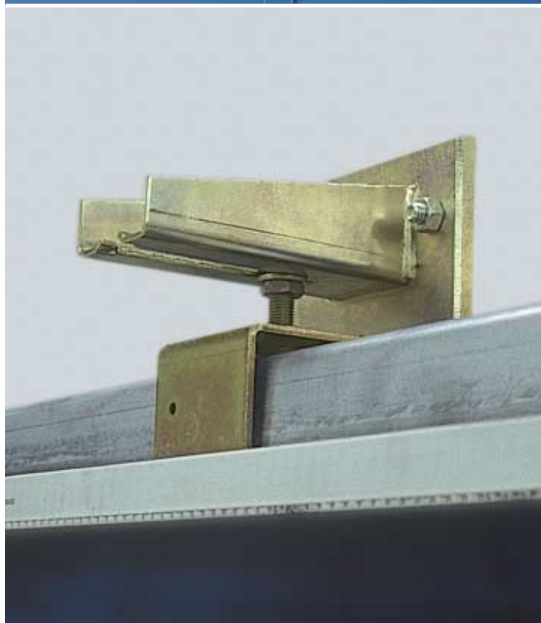


▶ Over. Power and intelligence

LOGIC HE control panel gives Over great efficiency.

It incorporates all the functions required to ensure remarkable operation in any circumstance, such as: automatic closing, step-by-step operation, stop safety during opening/closing, reverse safety, "hold-to-run" movement, speed and power adjustment and emergency batteries in case of a power break.

If the door is especially heavy, an Over 30 double motor can be fitted, or else an Over 60 to increase capacity and ensure easier movement.



▶ Specific Accessories

- ▶ Fitting brackets
- ▶ Belt fastening kit
- ▶ Second motor bearing



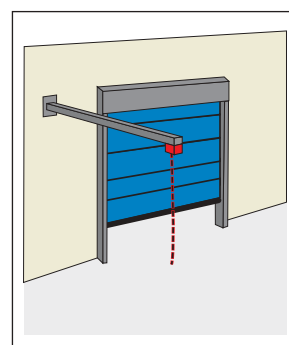
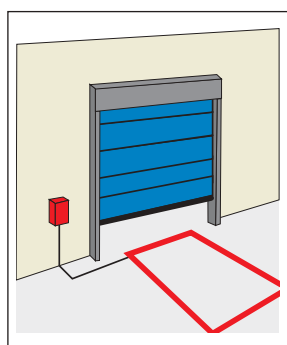
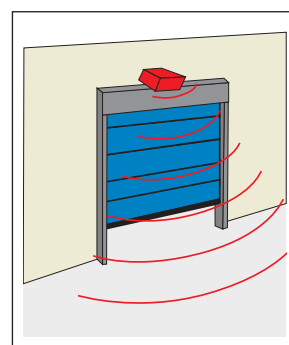
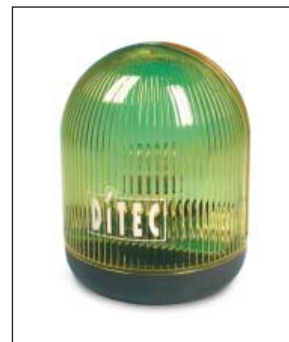
▶ Control and safety devices

Each automation system must be equipped with safety and control devices having all function requirements and compatibility in compliance with regulations.

Further information can be found in technical manuals available on the website www.ditec.it or in price lists.

▶ Safety and control accessories

- ▶ Flashing light
- ▶ Infra-red photocells
- ▶ Magnetic loop detector
- ▶ Radar
- ▶ Radio frequency transmitters and buttons
- ▶ Pneumatic and electric buttons
- ▶ Chain pull buttons
- ▶ Traffic lights

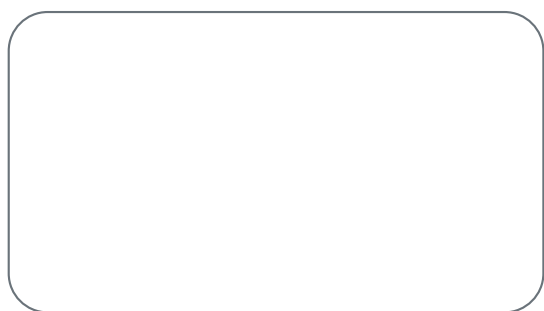


▶ Regulations

Use only DITEC accessories and safety devices for automation system installation.

DITEC automatism features CE marking and are designed and built according to the safety requirements of Machine Directive (98/37/EEC), to Electromagnetic Compatibility Directive (89/336/EEC) and to Low-Voltage Directive (73/23/EEC). DITEC S.p.A. reserves the right to make any changes necessary to upgrade its products.

DITEC products are constantly improved. As a consequence technical data as listed in this leaflet are not to be considered binding. Further information can be found in technical manuals, available on the website www.ditec.it



DITEC S.p.A.

Via Mons. Banfi, 3 - 21042 Caronno Pertusella (VA) - ITALY
 Tel. +39 02 963911 - Fax +39 02 9650314
www.ditec.it - ditec@ditecva.com



ISO 9001
 Cert. n° 0957

DITEC BELGIUM
DITEC DEUTSCHLAND
DITEC FRANCE
DITEC SVIZZERA
DITEC AMERICA

LOKEREN
 OBERURSEL
 PALAISEAU
 BALERNA
 ORLANDO-FLORIDA-USA

Tel. +32 9 3560051
 Tel. +49 6171914150
 Tel. +33 1 64532860
 Tel. +41 91 6463339
 Tel. +1 407 8880699

Fax +32 9 3560052
 Fax +49 61719141555
 Fax +33 1 64532861
 Fax +41 91 6466127
 Fax +1 407 8882237

www.ditecbelgium.be
www.ditec-germany.de
www.ditec.fr
www.ditecswiss.ch
www.ditecamerica.com