

**Ideal for fast access in
and out of buildings**



Sector - Smart - Flash

Rapid roll-up doors



DITEC
**AUTOMATIC
ENTRANCE
SPECIALISTS**

Sector

▶ Safe and reliable with modular counterweights and INVERTER

Sturdy, reliable and safe, it is the ideal automatic door for fast access, goods and people transit areas, or for internal and external areas of the buildings.

Sector is the most rationally designed and reliable interchangeable-section rapid roll-up door in the range.

Compact and technologically advanced, it features a modular counterweighted balancing system with strong driving belts, ensuring a high level of operation and safety, as well as an INVERTER system to adjust speeds, accelerations and braking thus ensuring very high performance.

The motor, by operating at the lowest possible power, prolongs the operating life of the automation. Fast, sturdy and reliable, it is suitable for any industrial or commercial premise.

▶ Self-supporting, quick and easy to install

The self-supporting casing, located on the vertical uprights, ensures the door to be easily and quickly fitted, thus making the installation stage much easier.

The casing also houses and protects all the drive parts.

The quick wiring, if required, makes the installation quick and simple, and also ensures that the electrical connections are carried out correctly.

With built-in motors and counterweights.

Available in a wide range of highly appealing designs.



Smart

Simple, practical, reliable

Smart has been designed in order to produce a very practical and highly modular high-speed door to simplify installation and to allow all the components to be easily operated.

A sturdy and compact supporting structure, very well designed and tested genuine Ditec motors and components, are the key features which make Smart a safe, aesthetically very unobtrusive door, easy and quick to fit and practical to maintain, inspect and check.

Its very reduced size allows it to be installed even where space is at a premium.

The motor, mounted outside the door, can be supplied complete with the manual emergency re-opening device.

Simple, compact.

Very practical yet uncompromising on quality.

Optional modular curtain



Smart

Interchangeable-section rapid roll-up doors with counterweights



Flash CS

With built-in motors and counterweights.

▶ Safe and reliable with modular counterweights and INVERTER

Sturdy, reliable and safe, it is the ideal automatic door for fast access, goods and people transit areas, or for internal areas of buildings.

Flash CS is the most rationally designed and reliable full curtain rapid roll-up door in the range.

It has been designed in order to produce a very practical and highly modular high-speed door to simplify installation and to allow all the components to be easily operated.

A sturdy and compact supporting structure, very well designed and tested genuine Ditec motors and components, are the key features which make Flash CS a safe, aesthetically very unobtrusive door, easy and quick to fit and practical to maintain, inspect and check.

Its very reduced size allows it to be installed even where space is at a premium.

Compact and technologically advanced, they feature a modular counterweighted balancing system with strong driving belts, ensuring a high level of operation and safety, as well as an INVERTER system to adjust speeds, accelerations and braking thus ensuring very high performance. The motor, by operating at the lowest possible power, prolongs the operating life of the automation. Fast, sturdy and reliable, they are suitable for any industrial or commercial premise. The version with see-through curtain is particularly suitable for high-class internal rooms and displays, yet ensuring high level of safety when the door is being crossed.

▶ Self-supporting, quick and easy to install

The self-supporting casing, located on the vertical uprights, ensures the door to be easily and quickly fitted, thus making the installation stage much easier.

The casing also houses and protects all the drive parts.

The quick wiring, if required, makes the installation quick and simple, and also ensures that the electrical connections are carried out correctly.



▶ Ditec range. Technology and safety. Its technologically superior features ensure the highest safety

Sector, Smart and Flash can be supplied in different levels of design (**Basic, Comfort and Top**), to better satisfy the differing operating requirements and to comply with the different local standards.

The wide range offered features a whole array of unparalleled technological features:

- ▶ The hot-galvanised steel structure, which houses and protects the entire traction unit (Sector and Flash CS) is also available in the versions with casing and front guard in RAL colours, with oven-baked epoxy coating with smooth finish or fine satin-finish AISI 304 stainless steel
- ▶ Provision for a roll-up roller casing (Smart)
- ▶ Heavy duty motor: 3-phase 400 V, with opening speed up to 1.2 m/s
- ▶ IP55 rated electronic panel complete with push-button panel with open-close-stop membrane control featuring an **autotest function**, compliant with 2006/42/EC and 89/106/EC European Directives. TÜV certified
- ▶ Modular counterweighted balancing system designed to ensure a high standard of operation



- ▶ Provision for installation of a fast semi-automatic emergency reopening device (Sector and Flash CS) or a manual reopening device with operation rod (Smart)
- ▶ Different speeds, accelerations and braking control INVERTER system
- ▶ Full flexible curtains with provision to fit window sections or interchangeable modular curtains (Sector and Smart) equipped with unique full-width see-through window sections, both made of Class 2 self-extinguishing polyester in a wide range of colours; they are resistant to up to 80 km/h wind pressure
- ▶ For Sector and Smart, the availability of large areas of the flexible curtains to be used as window sections allows the most diverse operating requirements to be met, thus ensuring better visibility and therefore safety when going through the door
- ▶ For Flash CS curtain optional versions designed with a large or a full PVC see-through window sections with a central red polyester warning strip
- ▶ Friction-resistant semi-hard PVC vertical seals. Fitted along the vertical curtain edge, they reduce wear by aiding the flexible curtain sliding action and ensuring a longer life



Safety, Technology and Environmental Protection

► **Wide range of control, monitoring and safety accessories**

Supplying a practical and sturdy door is just the beginning.

It needs to be controlled with a suitable range of practical and safe control accessories suitable for any requirement. Ditec's huge experience in the automatic entrance industry allows us to offer a range of push-buttons, radio controls, magnetic loops, selector switches, various technology radars, photocells which is equal to none.

► **Three different versions of bottom safety edge**

- Passive edge: featuring a grey polyester coating
- Electromechanical sensitive edge: simple obstruction detection system with immediate reversal of movement
- Sof self testing safety rib: complete with system **automatic control** electronic circuit, built in the electronic panel, in compliance with 2006/42/EC and 89/106/EC European Directives. TÜV certified.

► **Ditec is technologically superior, especially when it comes to safety**

Sof inherently safe, self testing safety ribs are devices which, when installed on the bottom edge of the curtain, thanks to the innovative rubber profile with an internal pre-welded electrical wire, automatically and instantly stop or reverse the movement of the door. They are certified to class 2 EN 954-1 and TÜV standards.



The **INVERTER** system makes it easy to adjust speeds.

The **SOFT START** and the **SOFT STOP** facilities avoid mechanical parts stress, thus ensuring the reliability and long life of the door.

The photocells, fitted to the uprights, ensure maximum safety when going through the door.

► **Long life. Efficiency assured**

Sector, Smart and Flash CS are safe and, suitably designed and accessorized, they comply with the strictest international standards.

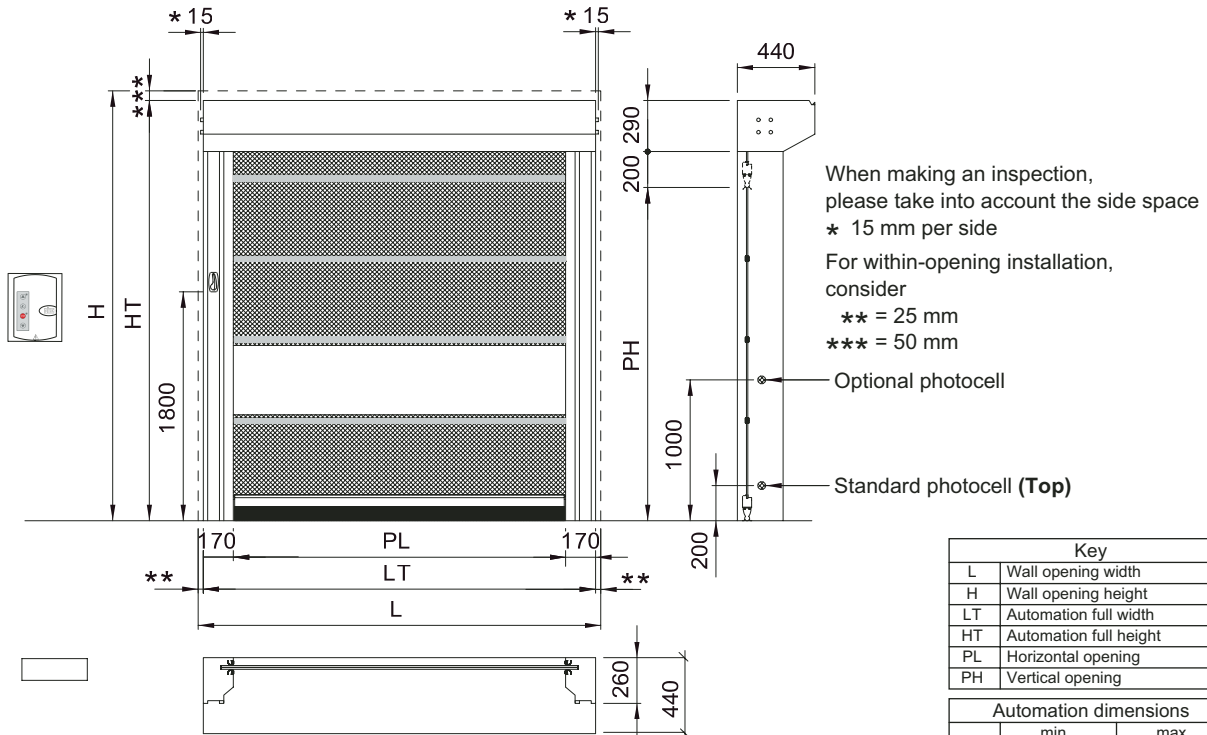
► **Focusing on basics, low maintenance and environmental protection**

Our doors are available in different designs which, with growing levels of fittings and accessories, make them suitable for different operating requirements and industry standards, still ensuring the highest level of safety when the door is used responsibly. It is also a responsible choice for the environment. In fact, the automation boasts all the components required for the type of installation without any unnecessary technical features, leading to a major reduction of maintenance costs.



Sector

Dimensional specifications

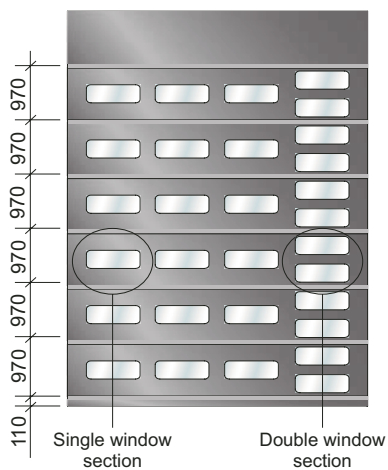


Key	
L	Wall opening width
H	Wall opening height
LT	Automation full width
HT	Automation full height
PL	Horizontal opening
PH	Vertical opening

Automation dimensions		
	min.	max.
PL	900	6000
PH	1700	6000

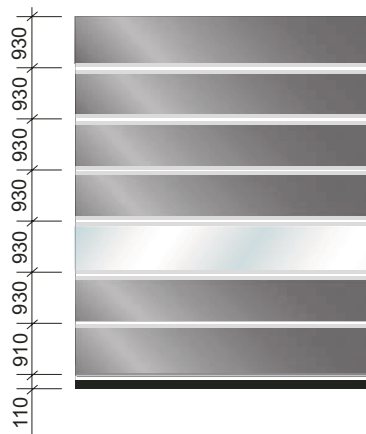
Flexible curtain features (Maximum values)

FULL CURTAIN



Sections position	PH max.
7	6000
6	5710
5	4740
4	3770
3	2800
2	1830
1	

MODULAR CURTAIN



Sections position	PH max.
7	6000
6	5000
5	4100
4	3200
3	2300
2	
1	

Note: only the last top section cannot have a window section

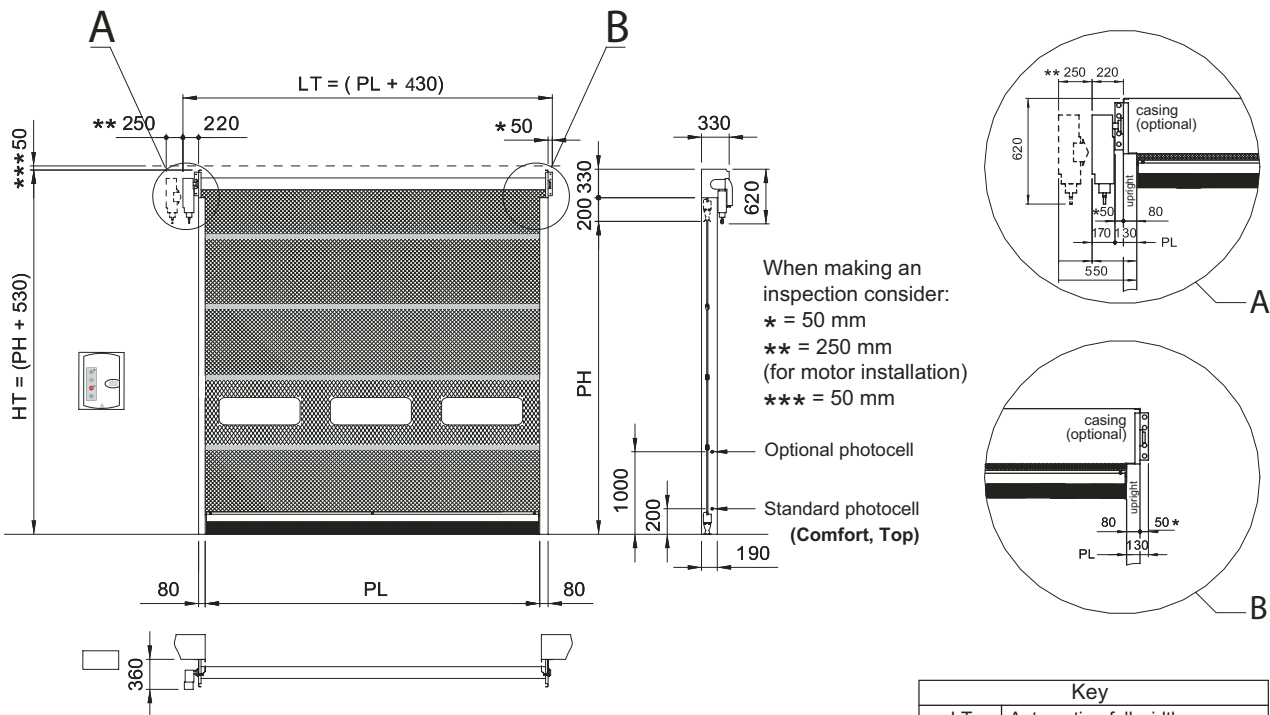
Number of window sections for curtain section	PL			
	≤2250	≤3750	≤5000	≤6000
Single or double	1	2	3	4

Maximum no. of optional PVC see-through sections
(the position of the sections can be selected according to the diagram)

PL ≤ 5000		PL > 5000	
PH ≤ 5000	 max. 6	PH > 5000	 max. 1

Smart

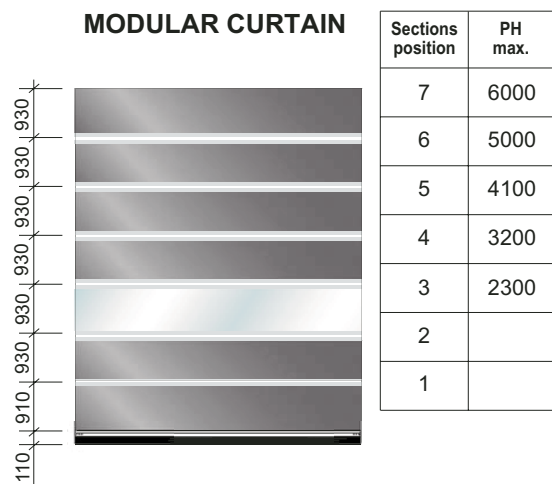
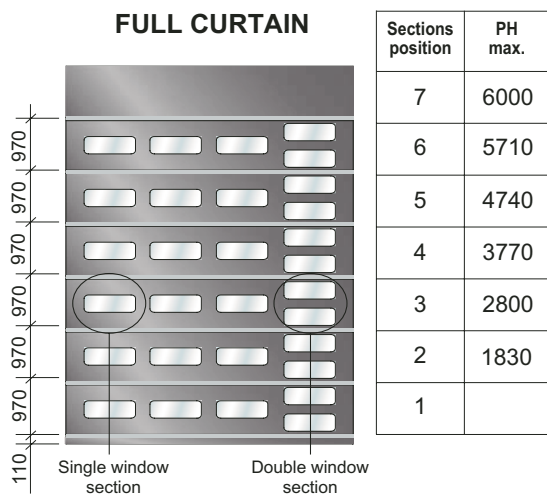
Dimensional specifications



Manual operation for single speed motor - availability of crank provided at man's height -

Curtain	Full curtain also with max no. of window sections and Modular curtain with max 2 see-through sections	Modular curtain with more than 2 see-through sections
V1	≤ PL 4000 x PH 4500	not applicable
V2	≤ PL 4000 x < PH 4500	not applicable

Flexible curtain features (Maximum values)



Note: only the last top section cannot have a window section

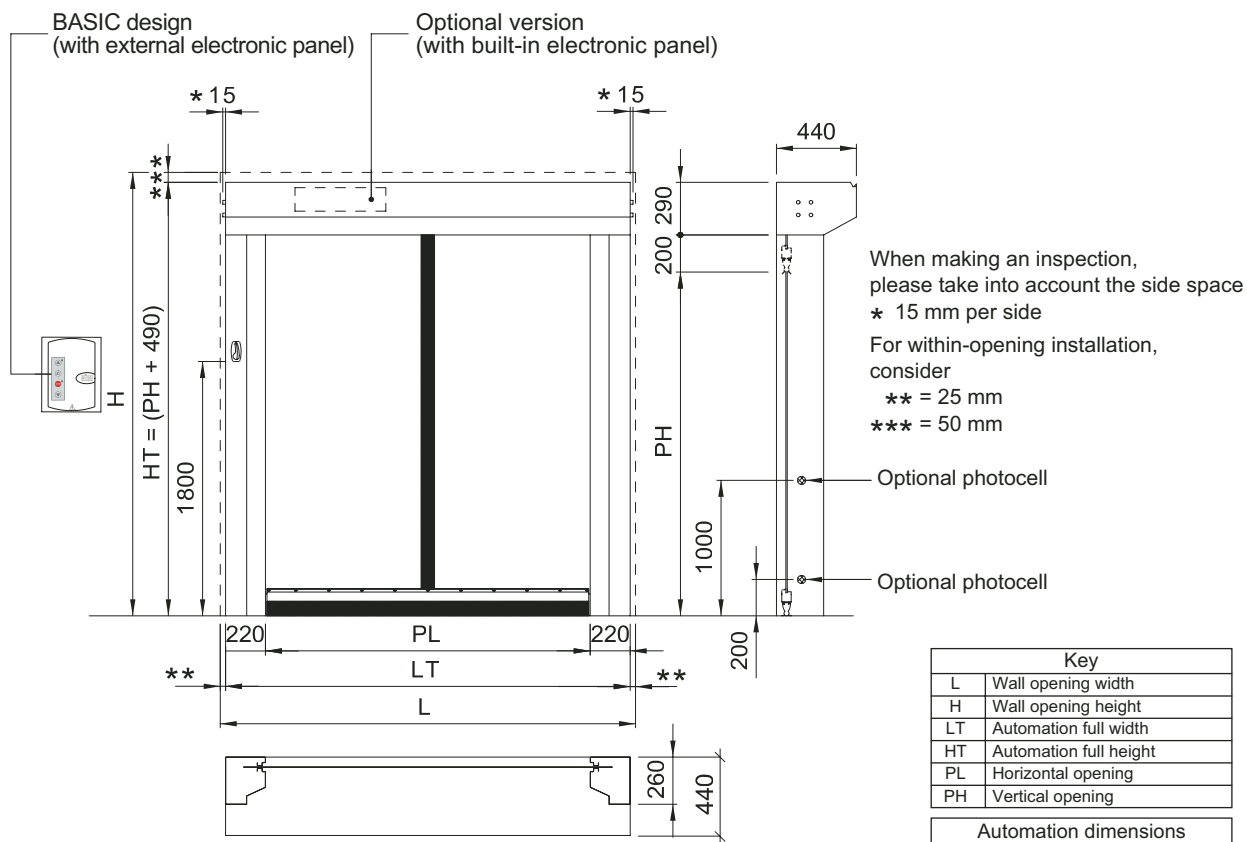
Number of window sections for curtain section	PL			
	≤2250	≤3750	≤5000	≤6000
Single or double	1	2	3	4

Maximum no. of optional PVC see-through sections
(the position of the sections can be selected according to the diagram)

	PL ≤ 5000	PL > 5000
PH ≤ 5000	 max. 6	
PH > 5000		 max. 1

Flash CS

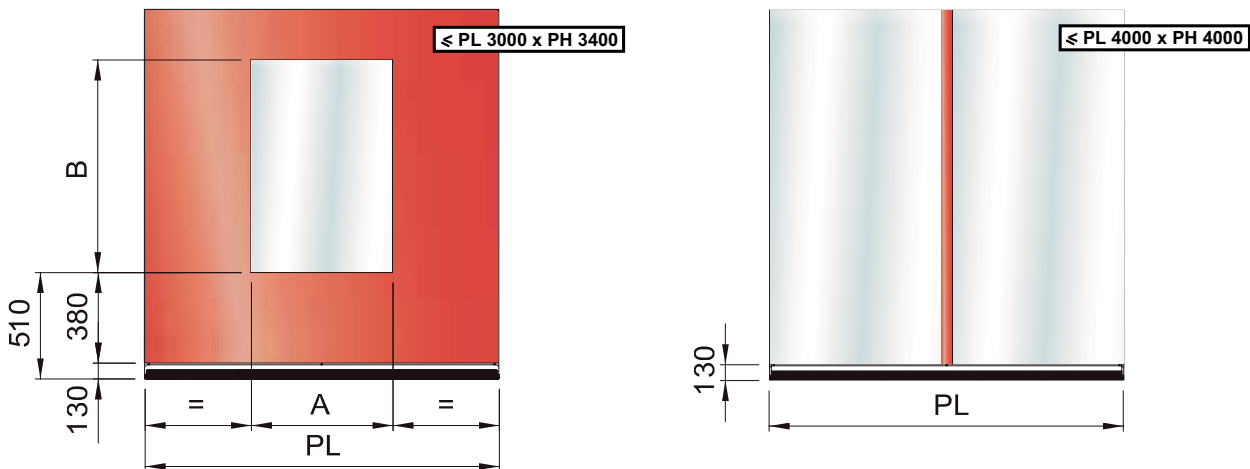
Dimensional specifications



Key	
L	Wall opening width
H	Wall opening height
LT	Automation full width
HT	Automation full height
PL	Horizontal opening
PH	Vertical opening

Automation dimensions		
	min.	max.
PL	1000	4000
PH	1600	4000

Flexible curtain features (Maximum values)



PL	≤ 1400	> 1400
A	720	920

PH	≤ 1900	≤ 2500	> 2500
B	1000	1500	2000

Special accessories and equipment - optional

Each component has been designed, tested and manufactured to ensure the highest performance of the door.

These automatic flexible doors are truly remarkable not only for their good design and reliability, but also for their staggering versatility in housing a wide range of useful accessories which make them unique and unparalleled in their class.

Description of Article	Sector		Smart			Flash CS
	BASIC	TOP	BASIC	COMFORT	TOP	BASIC
BOTTOM EDGE						
Sensitive - electromechanical bottom edge	●	–	●	/	–	●
Safety rib - SOF self testing, TÜV certified	●	/	–	●	/	●
FABRICATION						
Cabling - easy fitting	●	●	●	●	●	●
Cabling - gear motor / electronic panel, excluding safety devices	●	●	●	●	●	●
Cabling - complete and fitted to the fabrication, including safety devices	●	●	●	●	●	●
Casing and roller front guard – galvanised steel	–	–	●	●	●	–
Casing and roller front guard – AISI 304 stainless steel	–	–	●	●	●	–
Casing front guard – galvanised steel	●	●	–	–	–	–
Casing front guard – AISI 304 stainless steel	●	●	–	–	–	–
Casing front guard complete with seal brush - galvanised steel	–	–	–	–	–	●
Casing front guard complete with seal brush - AISI 304 stainless steel	–	–	–	–	–	●
Casing insulation	–	–	–	–	–	●
Electronic panel built in the casing (available for dual speed/Inverter, complete with gear motor cabling)	–	–	–	–	–	●
Stainless steel - AISI 304 fine satin-finish metal frame	●	●	●	●	●	●
The whole structure is oven-baked epoxy coated and features a smooth finish (see colour table)	●	●	●	●	●	●
The whole structure has a special oven-baked epoxy coating, colour on request (previously agreed)	●	●	●	●	●	●
MOTOR						
2 speeds: opening speed up to 1.0 m/s - closing speed 0.5 m/s (< PH 4400)	●	–	–	–	–	–
2 speeds: opening speed up to 0.9 m/s - closing speed 0.45 m/s	–	–	●	●	●	–
2 speeds: opening speed up to 1.1 m/s - closing speed 0.6 m/s	–	–	–	–	–	●
Emergency - semi-automatic reopening device	●	/	–	–	–	●
Motor guard – galvanised steel, left or right	–	–	●	●	●	–
Motor guard - AISI 304 stainless steel, left or right	–	–	●	●	●	–
Inverter - different speeds control system: opening speed 0.6 to 1.1 - closing speed 0.4 to 0.8	–	–	●	●	●	–
Inverter - different speeds control system: opening speed 0.6 to 1.2 - closing speed 0.4 to 0.8	●	/	–	–	–	–
Inverter - different speeds control system: opening speed 1.4 to 1.7 - closing speed 0.7 to 1.3	–	–	–	–	–	●
Inverter - Inverter battery operated emergency power supply	●	●	●	●	●	●
Manual operation - device complete with crank	–	–	●	●	/	–
Manual operation rod at man's height (see table), may be used together with the manual crank	–	–	●	●	●	–
Special RH side position	–	–	●	●	●	–
Pneumatic - system with pneumatically controlled operation and sensitive edge	●	–	–	–	–	–
FLEXIBLE CURTAIN						
See-through PVC curtain with central red warning strip	–	–	–	–	–	●
Modular PVC see-through section (see diagram - bar the highest)	●	●	●	●	●	–
Single PVC see-through window section 980 x H300 for full curtain	●	●	●	●	●	–
Double see-through PVC window section 980 x H300 for full curtain, each	●	●	●	●	●	–
Polyester roll-up curtain special colour (previously agreed)	–	–	–	–	–	●
Eco white RAL 9016 for polyester roll-up curtain - for food use	–	–	–	–	–	●
Wind - curtain with V2 wind resistant version	●	●	●	●	●	–

KEY: ● optional, / as standard, – not available

Accessories for flexible curtains

Description of Article

Black antistatic device for roll-up modular section - Not available for Flash CS

Special colour on request for roll-up modular section (previously agreed) - Not available for Flash CS

Eco white RAL 9016 for roll-up modular section - for food use - Not available for Flash CS

White micromesh for roll-up modular section 30% empty - Not available for Flash CS

Grey polyester covering for SOF self testing safety rib

Customised screen print L max 1500 mm - H max 800 mm (H max 200 mm on see-through PVC section for folding curtain only)

Customised screen print L max 4000 mm - H max 800 mm (H max 200 mm on see-through PVC section for folding curtain only)

Curtains - Standard available colours



Red similar to RAL 3000



Blue similar to RAL 5010



Orange similar to RAL 2004



Gray similar to RAL 7038



Yellow similar to RAL 1021



Green similar to RAL 6026



Cream similar to RAL 1014



White similar to RAL 9016



Light blue similar to RAL 5012



On request

other colours

**Optional
modular
curtain**



▶ Control and safety systems

- ▶ **RMM** - Microwave radar with function discrimination: vehicle-pedestrian direction of movement
- ▶ **TEL 2** - RMM radar distance adjustment remote control
- ▶ **GOL 4 transmitters** - Fixed code four channel-four function, with cloning option, or with rolling code system
- ▶ **LAB 9CS** - Board detector complete with cable for magnetic loop
- ▶ **SOF safety ribs** - Ensure the highest levels of safety when opening and closing each entrance system
- ▶ **XEL 22 C4** - Pair of columns H 2.5 m with four synchronised, precabled photocells
- ▶ **LAB 4** - Pair of externally mounted infrared photocells, for general use
- ▶ **LAMP H** - 24 V flashing light



RMM



TEL 2



GOL 4



GOL 4W

▶ Standards

The system has been manufactured by using only DITEC manufactured accessories and safety devices.

All DITEC automations are affixed with the CE mark and are designed and manufactured in compliance with the European Directive 2006/42/EC and 89/106/EC. TÜV certified.

DITEC S.p.A. operates a policy of continuous development and reserves the right to make changes and improvements to their products. The technical data contained within this document is therefore not binding.

Further information can be found in our on-line technical manuals at: www.ditec.it



LAB 9CS



SOF



XEL 22 C4



LAB 4



LAMP H



DITEC S.p.A.

Via Mons. Banfi, 3 - 21042 Caronno Pertusella (VA) - ITALY
Tel. +39 02 963911 - Fax +39 02 9650314
www.ditec.it - ditec@ditecva.com

DITEC BELGIUM
DITEC DEUTSCHLAND
DITEC ESPAÑOLA
DITEC FRANCE
DITEC GOLD PORTA
DITEC SVIZZERA
DITEC AMERICA
DITEC CHINA
DITEC TURCHIA

LOKEREN
OBERURSEL
ARENYS DE MAR
PALAISEAU
ERMESINDE-PORTUGAL
BALERNA
ORLANDO-FLORIDA-USA
SHANGHAI
ISTANBUL

Tel. +32 9 3560051
Tel. +49 6171 914150
Tel. +34 937958399
Tel. +33 1 64532860
Tel. +351 22 9773520
Tel. +41 848 558855
Tel. +1 407 8880699
Tel. +86 21 62363861/2
Tel. +90 21 28757850

Fax +32 9 3560052
Fax +49 6171 9141555
Fax +34 937959026
Fax +33 1 64532861
Fax +351 22 9773528/38
Fax +41 91 6466127
Fax +1 407 8882237
Fax +86 21 62363863
Fax +90 21 28757798

www.ditecbelgium.be
www.ditec-germany.de
www.ditecespanola.com
www.ditecfrance.com
www.goldporta.com
www.ditecswiss.ch
www.ditecamerica.com
www.ditec.cn
www.ditec.com.tr



ISO 9001
Cert. n° 0957